



Description

Bamboo Forest by Fumie Shibata draws inspiration from the vertical contours rising up in stands of bamboo. Conceived to evoke a unique atmospheric ambience, the handsculpted glass forms a bamboo stalk complete with the typical nodal ring, where the material thickens, creating a soft accent in the form of subtle shadows. With different types and varying positions of the node on the stalks, thanks to which the origins of the collection are at once recognizable, compositions of multiple lights transform the interior into a sanctuary replete with the soothing tranquillity of a natural bamboo forest. The lights also work well as solitary pieces. A diffuser with 90% transparency bends the light and creates a striking accent in the interior. The lights in the Bamboo Forest collection come in six different types and are available in either opaline or brown or light grey smoke glass. The innovative BROKIS connector enhances the overall variability of the lights by simplifying not only installation of large sets but also maintenance and cleaning. Furthermore, the connectors make it easy to rearrange the lights for a refreshing new lumiscape any time the mood strikes. Bamboo Forest is unique for the unusual shape of the lights as well as for the possibilities the collection offers in creating both original combinations and single-point accent lighting in interior spaces.



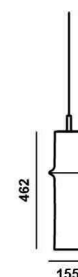
Tech. description

Colours options: https://brokis.sharepoint.com/:b:/s/brokis_sp/EW5B5yTkjYdJndplioQt7wcB02bA6j_Ejf4ANodPTdst_A

CONSTRUCTION SPECIFICATION

Weight:	3.5 kg
Construction material:	glass, metal
Cord length [mm]:	2,200 mm
Mounting:	Ceiling
Environment:	Indoor

DIMENSIONS [mm]

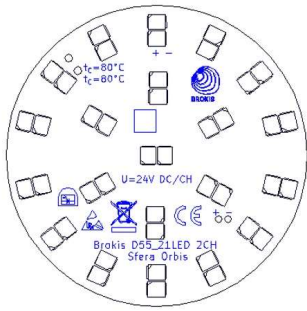


ELECTRICAL SPECIFICATION

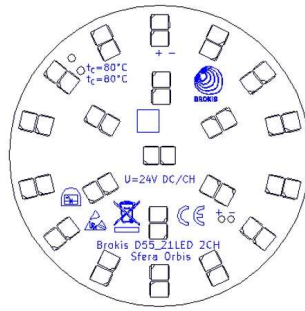
Input voltage [V]:	100 - 240 V
Frequency [Hz]:	50-60 Hz
Max. power [W]:	7.5 W
Coverage IP:	20
Socket:	LED module
Light source:	-
Energy class:	E

CERTIFICATIONS





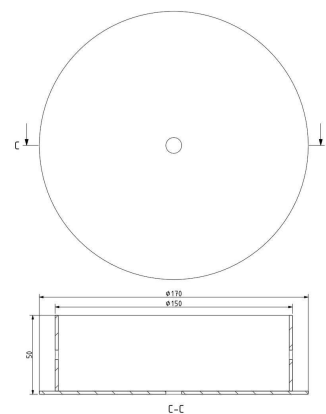
CM16714



CM15927



INNER FIXTURE



Drawing

Hole placement

